

Three Little Dolls

Designer: *Diane Piwko*
Muse in My Yarn, Plano TX



This kids dress has knitted dolls sewn on the front which cleverly act as generously roomy pockets at the same time. The knitting is easy and you'll want to rush through it to get to the fun part so your little doll can join the others.

SKILL: Advanced Beginner

SIZE: Kids size 3 (4,5) Finished measurements: chest 22 (23.5, 26)" / 55.9 (60, 66) cm;

MATERIALS: - Red Heart Soft, 100% Acrylic; 328 yd / 5 oz (300 m / 140 g) skeins: 2 skeins Aqua (MC), 1 skein each Fuchsia (C1) and Purple (C2)
- 3.5mm (size 4) needles - 24" circular and straights (optional)
- 4.5mm (size 7) needles
- 5 3/8" (.9 cm) buttons
- Tapestry Needle
- Size B crochet hook

GAUGE: 26 sts and 30 rows = 4" / 10 cm worked in st st after blocking with lots of steam to soften the solid feel of the knitting.

RIGHT BACK

With Size 4 (3.5mm) ndls and MC, long tail CO 56 (62, 69) sts. K 1" / 2.5cm in 1x1 rib. Change to Size 7 (5.5mm) ndls and start st st. **At the same time inc** 1 st at side seam E20R 3 (3,4)x. K until piece measures 10.75 (11, 12)" / 27.3 (27.9, 30.5)cm from CO. End RS. (K2, K2tog) across. End K3 (1,1). Cont in st st until piece measures 11.5 (12.5, 14)" / 29.2 (31.8, 35.6)cm. End RS. **Underarm shaping:** BO 8 (8,10) sts beg next row. K until piece measures 14 (14.5, 15)" / 35.6 (36.8, 38.1)cm. BO 2 sts at center back seam. K until piece measures 18 (19, 21)" / 45.7 (48.3, 53.3)cm from beginning. **Shape Neck:** at center back edge BO 3 sts EOR 5 (5, 6)x. BO shoulders.

LEFT BACK

Make as for right back using C2 and reversing shaping.

RIGHT FRONT

Using MC, make as for Right Back until piece measures 17 (18, 19.5)" / 43.2

(45.7, 49.5)cm. **Shape Neck:** At center front edge, BO EOR 3 sts 2, 2 sts 2 (2, 3)x, 1 st 5 (5, 6)x. BO shoulder sts.

LEFT FRONT

Using C1, make same as Right Front reversing all shaping. Sew together shoulder seams.

SLEEVES (Make 2)

With Size 7 (5.5mm) ndls and using color third color of each separate half, pick up 81 (84, 87) sts. Start working Chart A. K for 8 (8, 10)R. BO 8 (9, 11) sts beg

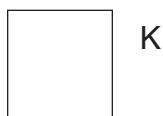
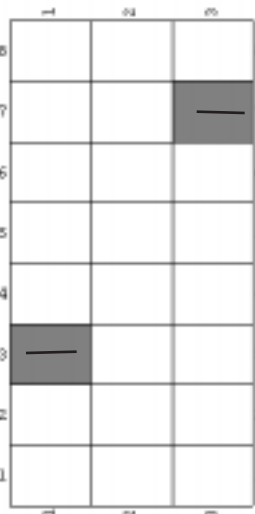


Chart A
3 sts x 8 rows



of next 2 rows. Continue knitting in pattern for 10R. Start dec 1 st each side E4R until 30 (32, 36) sts remain. K until sleeve measures 10 (10.5, 12)" / 25.4 (26.7, 30.5)cm. Change to size 4 (3.5mm) ndls and K in 1x1 rib for 1.5" / 3.8cm. BO

FINISHING

Sew together center front, center back from hem to placket decreases, underarm and side seams. Using Size 4 (3.5mm) circular ndls, MC and starting in the center back neckline, pick up along neckline edge. K 1" / 2.5cm in 1x1 rib. BO. Using Size 4 (3.5mm) ndls and MC, pickup along left side of center back placket. K2R. BO. Space 5 button evenly spaced along placket. On opposite placket side, pick up sts until buttonhole is needed, *cable CO 1 st, skip 1 st on pick up edge and continue onto next buttonhole and repeat from *. K2R. BO.

DOLL

Make 2, using colors as you prefer.

Body: Using Size 7 (5.5mm) ndls, long tail CO 29 sts.

Row 1: K

Row 2: K1, (K2tog, yo) across. End K1

Row 3: K

Row 4: K

K until body measures 3". On each side, dec 1 st EOR 2x, ER 4x. BO.

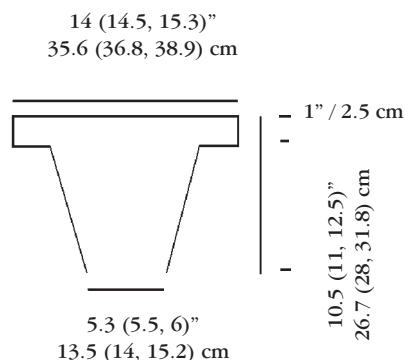
Legs: Using another color, pickup 3 sts at edge of bottom. Make I-cord for 1.75". Change to third color and K1R. Cable CO 6 sts. Work in garter st (K each row) for 4R. BO. Repeat for other leg.

Arms: Using color of choice, long tail CO 4 sts. K in garter st (K each row) until piece measures 8.5" / 21.6cm. BO. Loosely tie overhand knot in center. Use yarn ends to sew on sides of body.

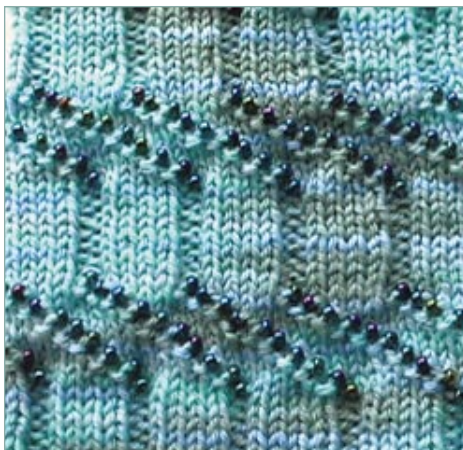
Tie: Using color of your choice, make 2 pieces of I-cord 4" / 10cm long each. Tack down on each side of body top, weave through eyelet holes and gentle gather pocket top. Tie knot.

Face: Using felt and permanent markers, cut out face following close up picture and draw on facial expressions of your choice.

Flower Hair: Using Size B crochet hook and alternating colors, make 7 flowers for each head as follows: Ch



New Stuff



Bead Ribbed Sock by Heartstrings

Want to learn to knit with BEADS? This beaded cuff sock is designed especially for those multi-colored sock yarns you can't resist! The stitch pattern is a variation of an interrupted rib, with beads

highlighting the pattern shift. Simple yet fascinating! Pattern and yarn/bead kit: \$26.50, plus \$3 s/h to US/Canada. Visit www.heartstringsfiberarts.com or call 1-888-955-8094 (US) / 985-764-8094

The Retro Bag and Felt-Free Retro Bags are from Yarn 'N Ewe. Both versions knit up in an evening and the Retro Bag is then felted for extra sturdiness. Designed by Shelley Boardman. They both sell for \$6.00. Order from Yarn 'N Ewe, 460 Turner St, Suite 210, Blacksburg, VA 24060.

Submit items for
New Stuff to
INKnitters, 3415
Custer, Suite 140,
Plano TX 75023



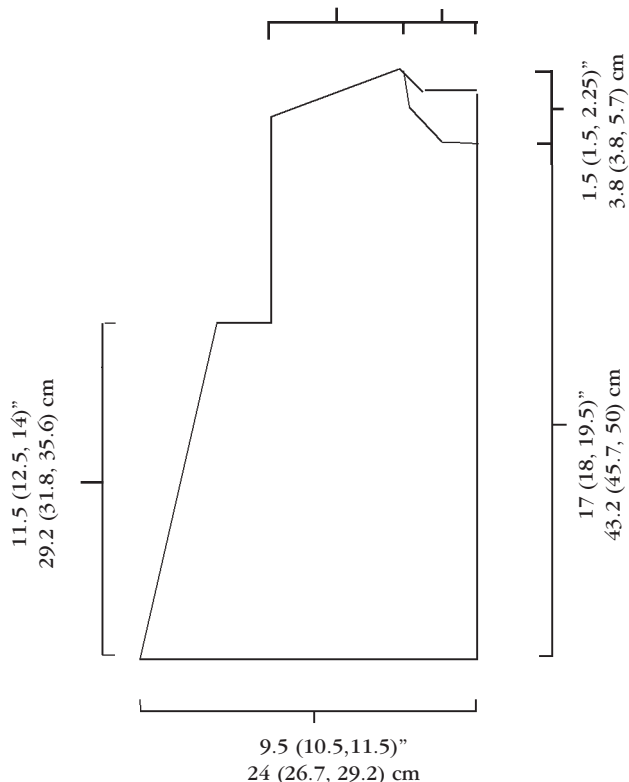
2. *Ch 3. Make 2 triple crochets in first st of chain, not drawing yarn through last loop. YO hook and draw through all three loops. Ch 3 and slip st into first chain. Repeat from * for two more petals. Break yarn leaving long enough ends to attach to sweater.

Finishing:

Carefully centering body equally on sweater front, sew down from the right side. Center face over body and sew down. Take a few stitches each side of nose to hold flat. Tack flowers around top of head.



3 (3.25, 4)" 3 (3, 3.25)"
7.6 (8.3, 10.2) cm 7.6 (7.6, 8.3) cm





100% WOOL YARNS

Blues, laurels, roses & greens-over 75 shades-heathers, all-naturals, solids, marls, & tweeds. Lanolin-rich, pure wool. Ideal for classic sweaters, mittens & cozy caps. Thrifty 4-oz. skeins and one-pound cones. Ask for **free** color packs, ordering information, & dealer names.

PURE WOOL
Since 1821

Bartlettyarns, Inc.

Box 36-INK Harmony ME 04942
www.bartlettyarns.com 207/ 683-2251



Genuine Purl

140 N. Market Street
Chattanooga, Tennessee 37405

"The knitter's jewel of the South"

You have got to see us to believe us! We have a great selection along with friendly service and expert advice. We ship daily.

website: www.genuinepurl.com

Call the "Purl Girls"!

1-800-862-2890

Erdal

Wide Range of High Fashion Novelty Designer Yarns
for Machine Knitting, Hand Knitting & Weaving
(Cone & Skein Yarns)

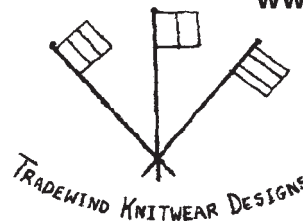
Wholesale To Production Knitters,
Weavers & Retail Stores (Tax ID Request)

NO MINIMUM • FREE INTRODUCTORY PACKAGE

Erdal Yarns Ltd.

303 Fifth Avenue Suite 1104, New York, NY 10016
1-800-237-6594 • 212-725-0162 • Fax: 212-252-0082
<http://www.erdal.com> • e-mail: info@erdal.com

www.tradewindknits.com



Take a voyage with
Lucy Neatby.
Follow the Treasure
Map to patterns, kits,
tools & illustrated hints.

TRADEWIND KNITWEAR DESIGNS

VISA Toll free 1 (866) 272 7796

DESIGN-A-PATTERN Y2K+

Charting Programs for Knitters from Ileen's Needle Nook

- ✓ VERSATILE & EASY-TO-USE Windows programs to chart ACCURATE patterns for any sizing (infants to mature adults)
- ✓ The only charting programs with UNLIMITED FREE UPGRADES AND LIVES¹ for your back-up protection
- ✓ Chart custom patterns for punchcard and electronic machines without expensive interface cables or upgrades
- ✓ Multiple text and graphic printouts, Cut-n-Sew templates, row-stitch design gridmaker and customer-suggested features
- ✓ 5 Volumes: \$75 each with discounts for multiple volumes
- ✓ 10% OFF New Brother or Artisan Knitting Machines and Accessories for registered Design-A-Pattern customers



Call Ileen or visit our web site for
Coned Yarns, Pattern Books & Disks,
Knitting Machines, Supplies and Accessories
Design-A-Pattern Information and Samples
www.ileen.com

ILEEN'S NEEDLE NOOK
4106 West Ely Road
Hannibal, MO 63401

Phone: 1-800-221-NOOK
E-Mail: ileena@nemonet.com
Fax: 1-573-221-4107

Design-A-Pattern

